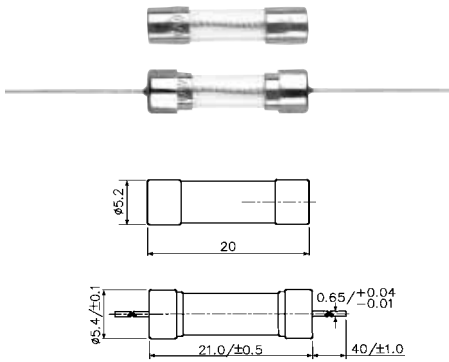
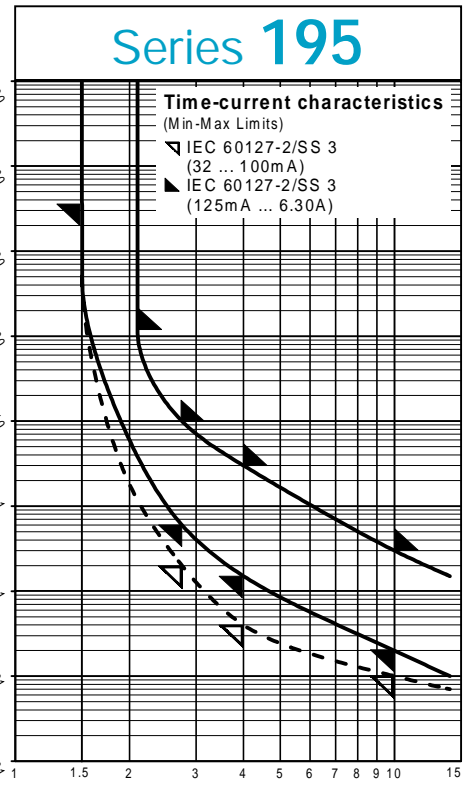


**5x20mm  
Time-Lag**




## IEC 60127-2/SS 3

- FaxBack Document # 202
- Glass tube  
Brass caps, nickel-plated
- Approvals:  
VDE: File No. 43285  
SEMKO: File No. 8734099  
BSI: File No. KM7850  
IMQ: File No. E3267  
cULus Recognized: File No. E 67006  
CCEE: File No. CH0026528-98  
MITI: 1.00A-5.00A: contact WICKMANN
- Packaging:  
00: Bulk (1000 pcs. per Box)  
02: Pack (10 pcs. per Pack)  
40: Axial Leads/Bulk  
43: Axial Leads/Tape & Reel (1000 pcs. per Reel)



Limits for Pre-arcing Time					
Rated Current	150%	210%	275%	400%	1000%
32 ... 100mA	> 1h	< 2min	200ms ... 10s	40ms ... 3s	10 ... 300ms
125mA ... 6.30A	> 1h	< 2min	600ms ... 10s	150ms ... 3s	20 ... 300ms
8.00 ... 16.00A	> 30min	< 10min	-	-	20 ... 300ms

Permissible continuous operating current is ≤ 100% at ambient temperature of 23°C (73.4°F).

Rated Current / Rated Voltage	Amp Code	Breaking Capacity	Voltage Drop (max) <sup>1</sup> 100% x I <sub>Rated</sub> (mV)	Power Dissipation (max) <sup>1</sup> 150% x I <sub>Rated</sub> (W)	Melting Integral (min) 1000% x I <sub>Rated</sub> (A <sup>2</sup> s) 	Approvals				
						VDE	SEMKO	BSI	IMQ	cULus
32mA / 250V	0032	L ≅ 35A at 250VAC cos φ = 1.0	5000	1.6	0.01	•	•	•	•	•
40mA / •	0040		4000	1.6	0.011	•	•	•	•	•
50mA / •	0050		3500	1.6	0.02	•	•	•	•	•
63mA / •	0063		3000	1.6	0.026	•	•	•	•	•
80mA / •	0080		3000	1.6	0.052	•	•	•	•	•
100mA / •	0100		2500	1.6	0.073	•	•	•	•	•
125mA / •	0125		2000	1.6	0.13	•	•	•	•	•
160mA / •	0160		1900	1.6	0.22	•	•	•	•	•
200mA / •	0200		1500	1.6	0.3	•	•	•	•	•
250mA / •	0250		1300	1.6	0.32	•	•	•	•	•
315mA / •	0315		1100	1.6	1.1	•	•	•	•	•
400mA / •	0400		1000	1.6	2.4	•	•	•	•	•
500mA / •	0500		900	1.6	3.8	•	•	•	•	•
630mA / •	0630		300	1.6	7.5	•	•	•	•	•
800mA / •	0800		250	1.6	10	•	•	•	•	•
1.00A / •	1100		150	1.6	11	•	•	•	•	•
1.25A / •	1125		150	1.6	20	•	•	•	•	•
1.60A / •	1160		150	1.6	36	•	•	•	•	•
2.00A / •	1200		150	1.6	10	•	•	•	•	•
2.50A / •	1250		120	1.6	14	•	•	•	•	•
3.15A / •	1315	100	1.6	25	•	•	•	•	•	
4.00A / •	1400	L ≅ 40A ~	100	1.6	42	•	•	•	•	
5.00A / •	1500	L ≅ 50A ~	100	1.6	70	•	•	•	•	
6.30A / •	1630	L ≅ 63A ~	100	1.6	120	•	•	•	•	
8.00A / • <sup>2,3</sup>	1800		120	2.6	240	•	•	•	•	
10.00A / • <sup>2,3</sup>	2100		120	3.0	400	•	•	•	•	
12.50A / • <sup>2,3</sup>	2125		120	3.5	650	•	•	•	•	

<sup>1</sup> values according to IEC 60127; WICKMANN values may be lower  
<sup>2</sup> not mentioned in the IEC 60127 standard; ratings are WICKMANN values  
<sup>3</sup> depending on application and mounting, the heating at the maximum ambient temperature in a closed fuseholder should be taken into consideration  
<sup>4</sup> please specify if CCEE is required when ordering

Order Information	Qty.	Order-Number	Series	Amp Code	Packaging
			195		0